

LINEA

equipment screens by
ModWerks



ModWerks Benefits

Meets building codes

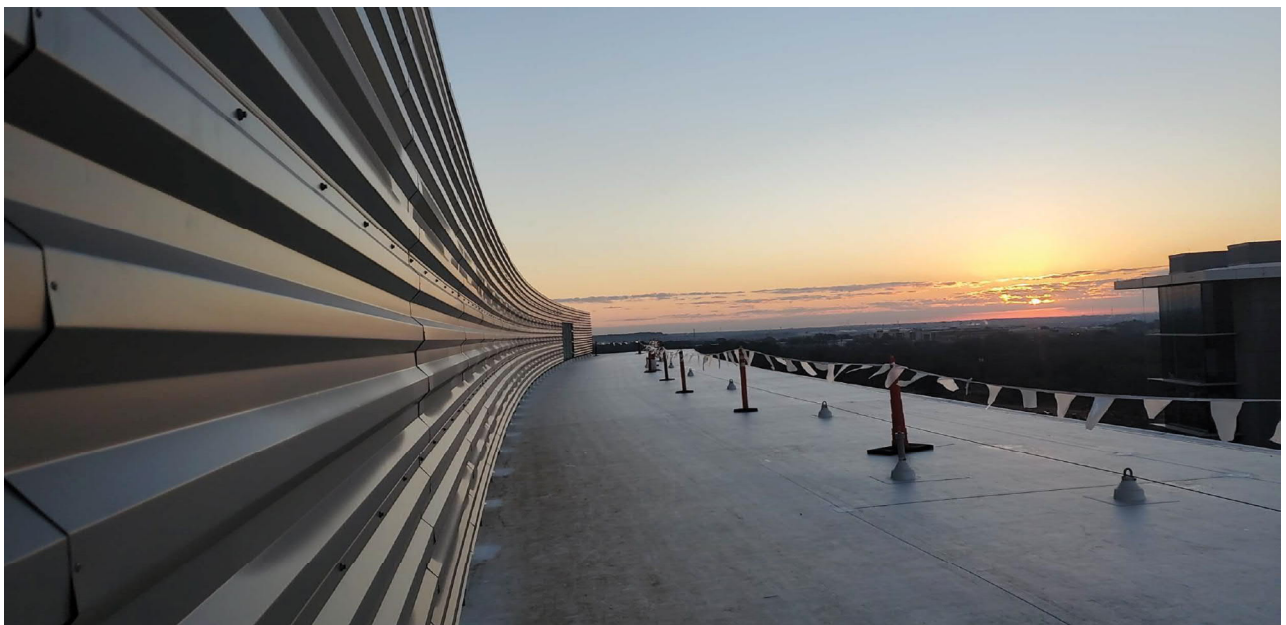
Hide equipment from view

Prevent vandalism

Works with existing equipment and building

Linea Screen solutions by ModWerks offer an attractive and safe way to protect your equipment. A wide variety of panel materials allows us to treat each application specifically – sound reduction, visual blocking, open-air screening, and aesthetic appeal.

With our solutions, you can meet building codes by providing screens to block the view of rooftop equipment from public roads, plus meet noise requirements by providing sound-attenuating louvers or panels. Our equipment screens are made to protect any size equipment, ground mounted or rooftop.



Solid Metal Corrugated Panels



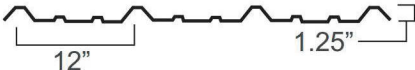
Vertical Pattern



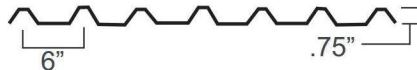
Horizontal Pattern

Our solid metal panels are made in a wide range of colors. Align them horizontally or vertically to match the visual lines of your building. With open-air louvers, mechanical equipment can operate properly while being protected from damage and vandalism.

Panel Types



R-Panel

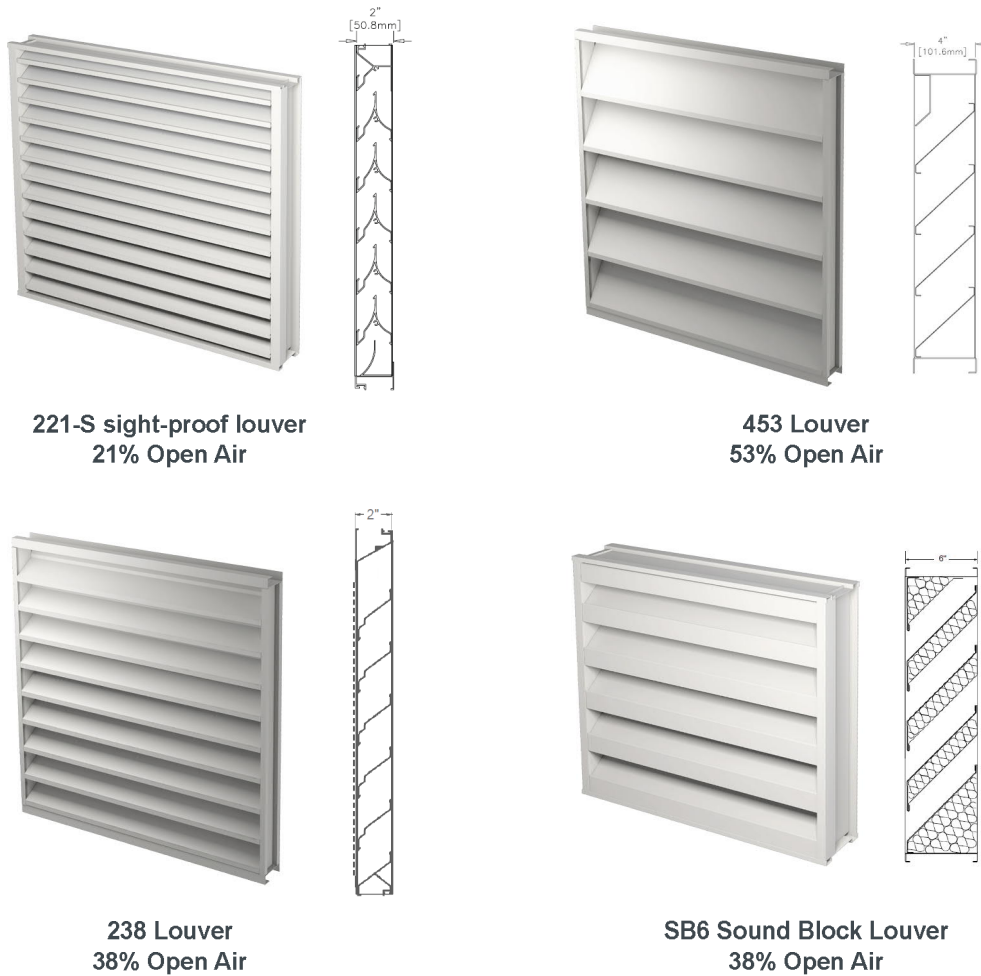


U-Panel



Corrugated Panel

Open-Air Louvered Panels



Sound Block Panels with Certified Noise Reduction

Property Line overall dBA calculation
CGAF-20
Quantity - 1
10 Min. Height of Barrier Wall-Ft.

Octave Band Center Frequency, Hz									dBA
63	125	250	500	1000	2000	4000	8000	73.1	
74.3	70.3	70.3	69.8	67.3	65.8	63.3	60.8	73.1	
-8.4	-10.3	-12.7	-15.3	-18.2	-20.0	-20.0	-20.0	Barrier Wall Insertion Loss	
0.0	0.0	0.0	0.0	0.0	0.0	0.0	0.0	None	
0.0	0.0	0.0	0.0	0.0	0.0	0.0	0.0	None	
0.0	0.0	0.0	0.0	0.0	0.0	0.0	0.0	Building Wall Composite Transmission Loss	
0	0	0	0	0	0	0	0	User Defined Reductions	
65.9	60.0	57.6	54.5	49.2	45.8	43.3	40.8	56.2	
-26.0	-16.0	-9.0	-3.0	0.0	+1.0	+1.0	-1.0	(A-Weighting Constants)	
39.9	44.0	48.6	51.5	49.2	46.8	44.3	39.8	(Cumulative L _p , dBA)	
45		53		51		46			
54			52						
56				Overall Mitigated Source L _p @ Property Line, dBA					

Sound absorbing panels are designed for your local sound criteria, meeting noise requirements at the equipment or at the property line. Sound reduction options are available to reduce sound levels up to 12 dB at street level.

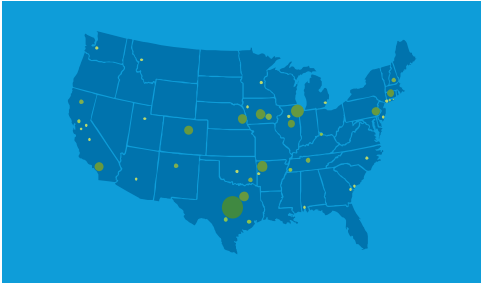
Certifications



Designed and Engineered for Your Building



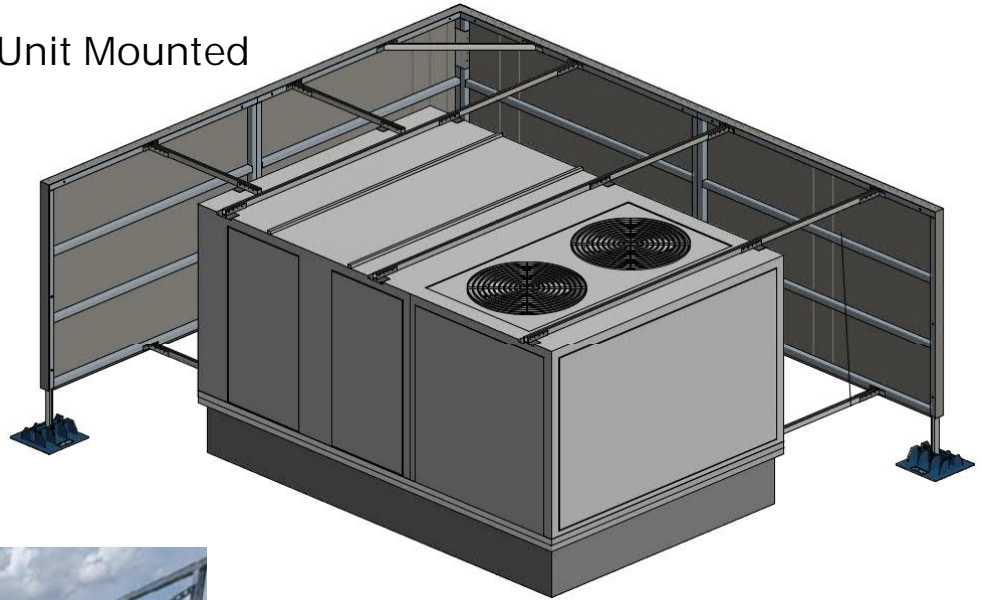
- Compliant with IBC2012
- Built to ASCE 7-10 standards
- Standard designs cover: 130 MPH winds, 200 ft tall, category C buildings
- Custom structural calculations available



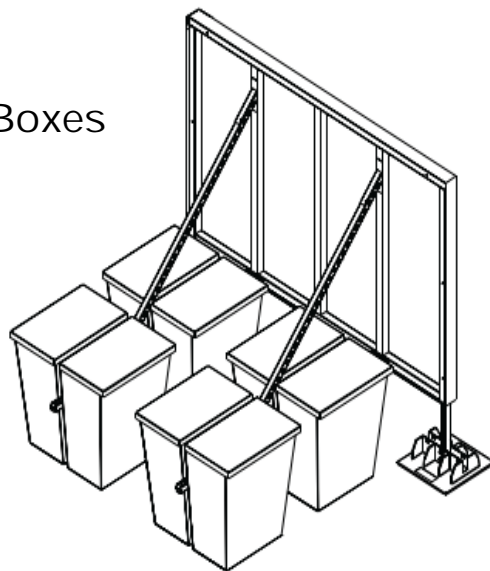
Nationwide Turn-key installation included

Flexibility

Unit Mounted



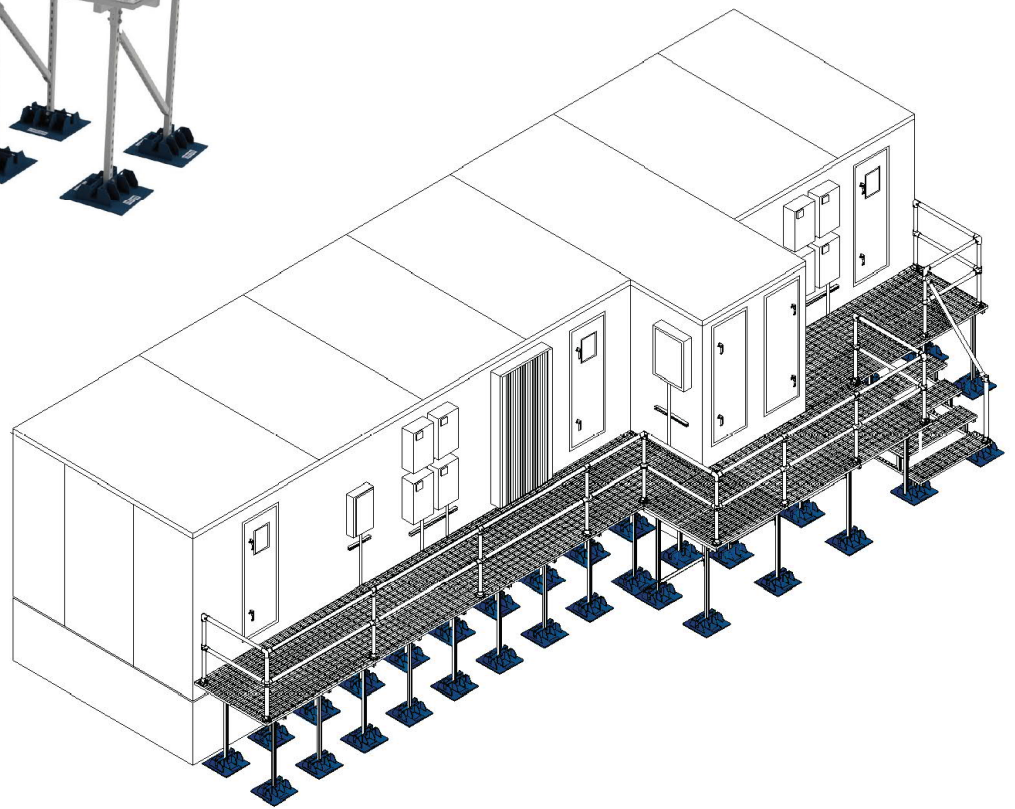
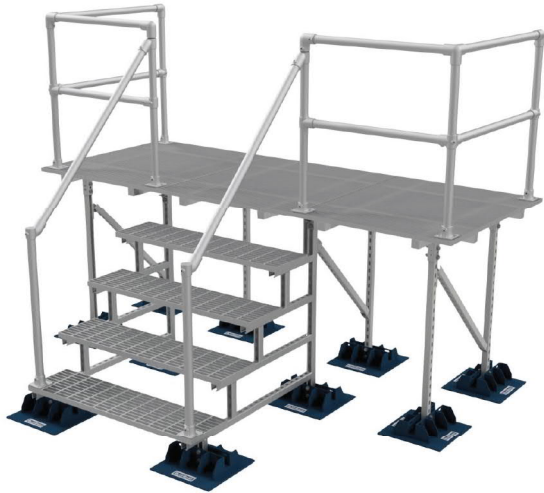
Ballast Boxes



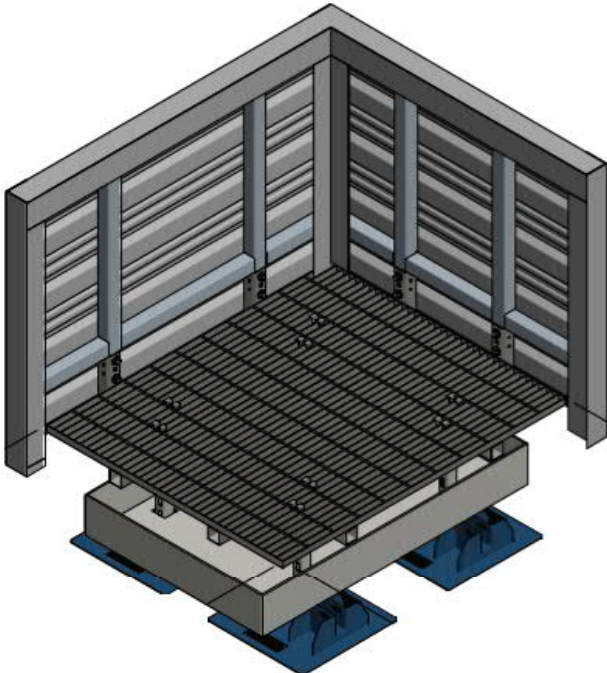
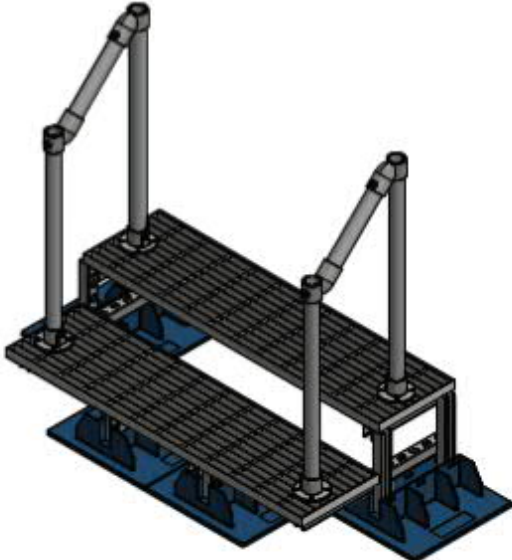
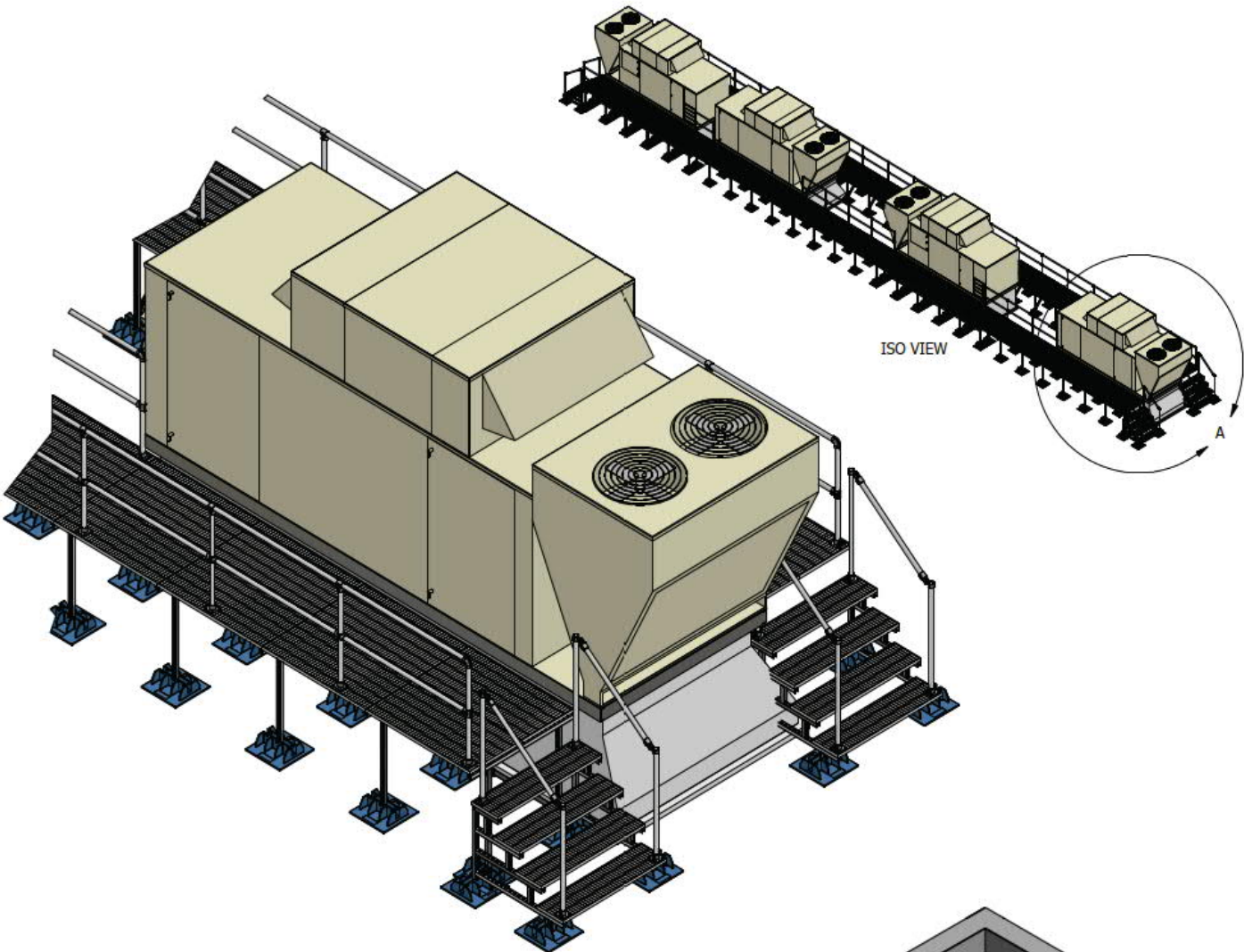
Steel Post Mounted



Catwalks and Platforms



Catwalks and Platforms



Contact

ModWerks

E: ModWerks@hts.com
502-939-4110

6101 W. Courtyard Dr.
Building #4
Austin, TX 78730

www.LineaScreen.com



LINEA

equipment screens by
ModWerks