

LINEA

equipment screens by
ModWerks



ModWerks Benefits

Meets building codes

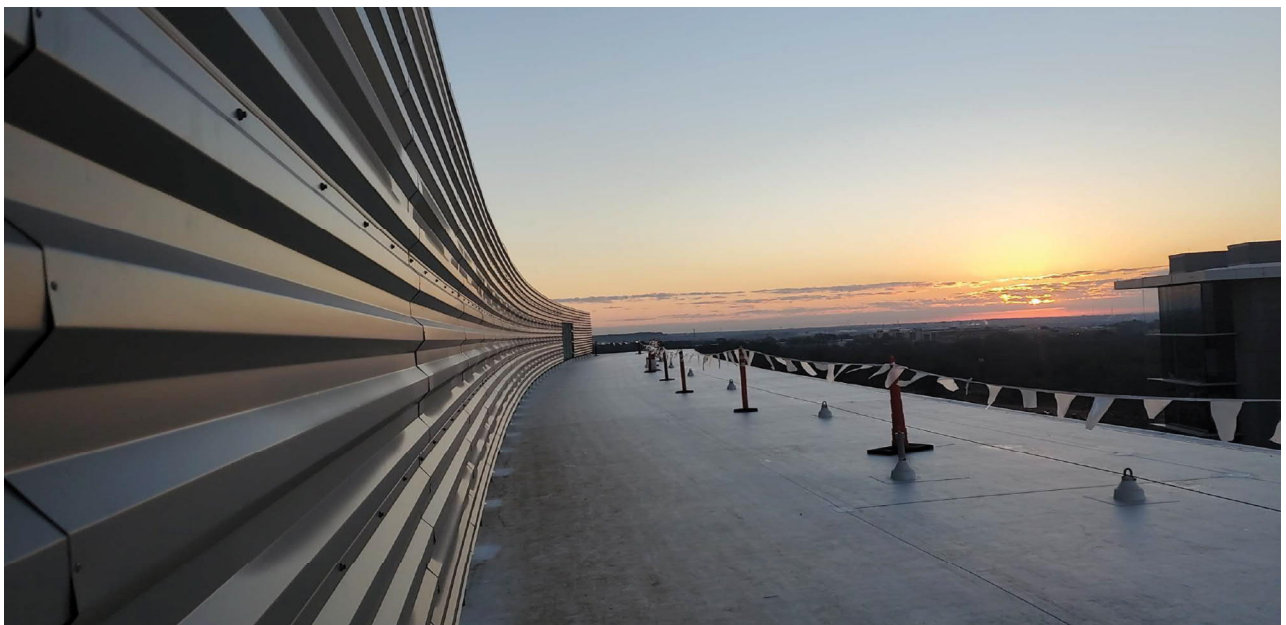
Hide equipment from view

Prevent vandalism

Works with existing equipment and building

Linea Screen solutions by ModWerks offer an attractive and safe way to protect your equipment. A wide variety of panel materials allows us to treat each application specifically – sound reduction, visual blocking, open-air screening, and aesthetic appeal.

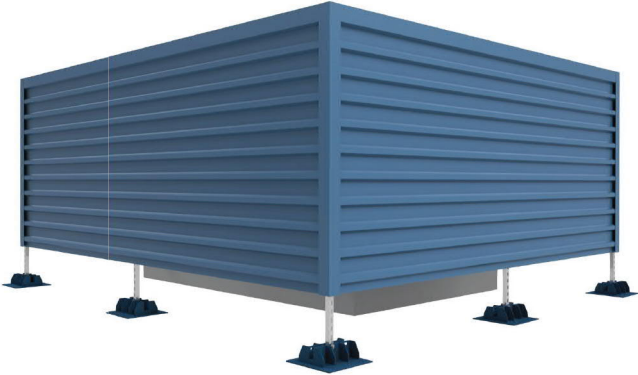
With our solutions, you can meet building codes by providing screens to block the view of rooftop equipment from public roads, plus meet noise requirements by providing sound-attenuating louvers or panels. Our equipment screens are made to protect any size equipment, ground mounted or rooftop.



Solid Metal Corrugated Panels



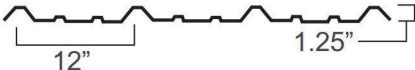
Vertical Pattern



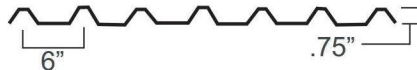
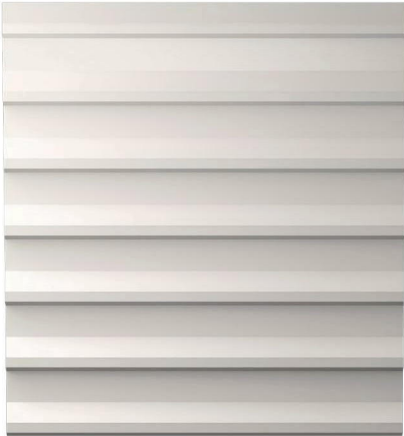
Horizontal Pattern

Our solid metal panels are made in a wide range of colors. Align them horizontally or vertically to match the visual lines of your building. With open-air louvers, mechanical equipment can operate properly while being protected from damage and vandalism.

Panel Types



R-Panel

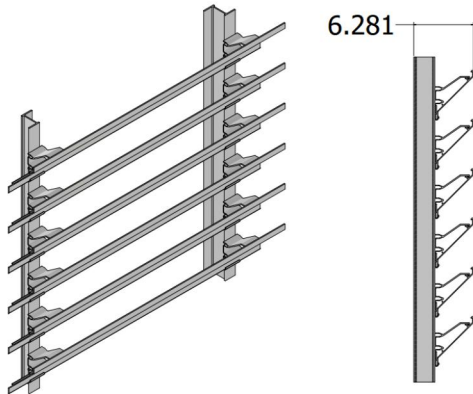


U-Panel

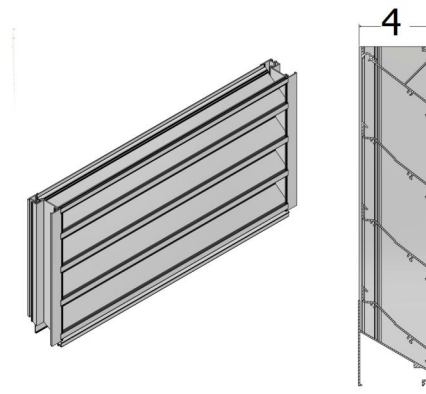


Corrugated Panel

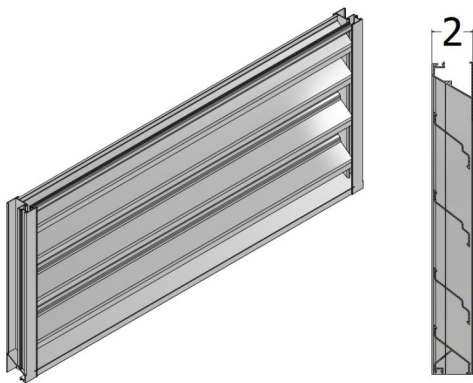
Open-Air Louvered Panels



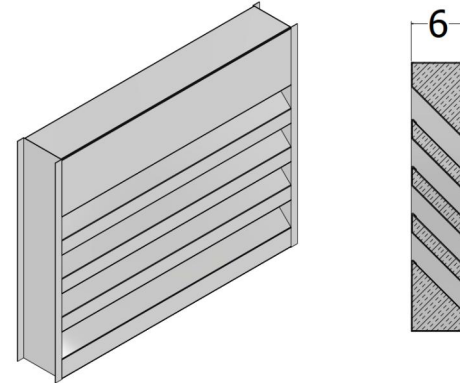
451-O Frameless Louver
51% Open Air



453 Louver
53% Open Air



238 Louver
38% Open Air



SB6 Sound Block Louver
38% Open Air

Sound Block Panels

Property Line overall dBA calculation
CGAF-20
Quantity - 1
10 Min. Height of Barrier Wall-Ft.

Octave Band Center Frequency, Hz	63	125	250	500	1000	2000	4000	8000	dBA	Unit L _p (Sound Pressure) @ PL 10
	74.3	70.3	70.3	69.8	67.3	65.8	63.3	60.8	73.1	
	-8.4	-10.3	-12.7	-15.3	-18.2	-20.0	-20.0	-20.0		Barrier Wall Insertion Loss
	0.0	0.0	0.0	0.0	0.0	0.0	0.0	0.0		None
	0.0	0.0	0.0	0.0	0.0	0.0	0.0	0.0		None
	0.0	0.0	0.0	0.0	0.0	0.0	0.0	0.0		Building Wall Composite Transmission Loss
	0	0	0	0	0	0	0	0		User Defined Reductions
	65.9	60.0	57.6	54.5	49.2	45.8	43.3	40.8	56.2	Cummulative Mitigated Source L _p , dB
	-26.0	-16.0	-9.0	-3.0	0.0	+1.0	+1.0	-1.0		(A-Weighting Constants)
	39.9	44.0	48.6	51.5	49.2	46.8	44.3	39.8		(Cummulative L _p , dBA)
	45		53		51		46			
		54				52				
			56							Overall Mitigated Source L _p @ Property Line, dBA

Sound absorbing panels are designed for your local sound criteria, meeting noise requirements at the equipment or at the property line. Sound reduction options are available to reduce sound levels up to 12 dB at street level.

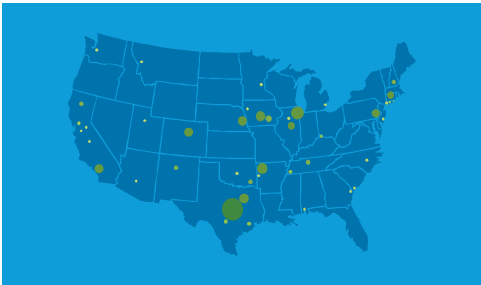
Certifications



Designed and Engineered for Your Building



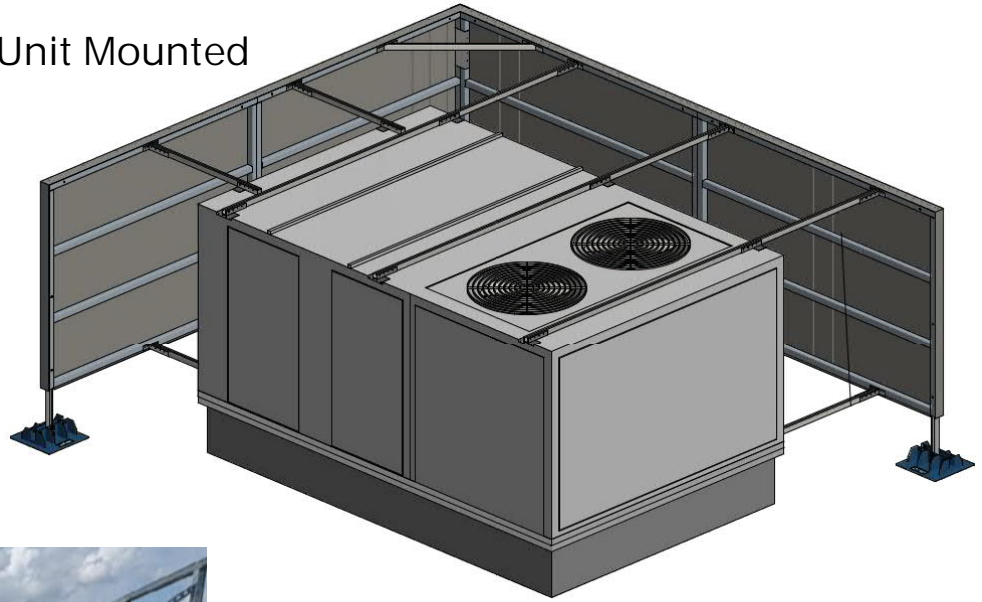
- Compliant with IBC2012
- Built to ASCE 7-10 standards
- Standard designs cover: 130 MPH winds, 200 ft tall, category C buildings
- Custom structural calculations available



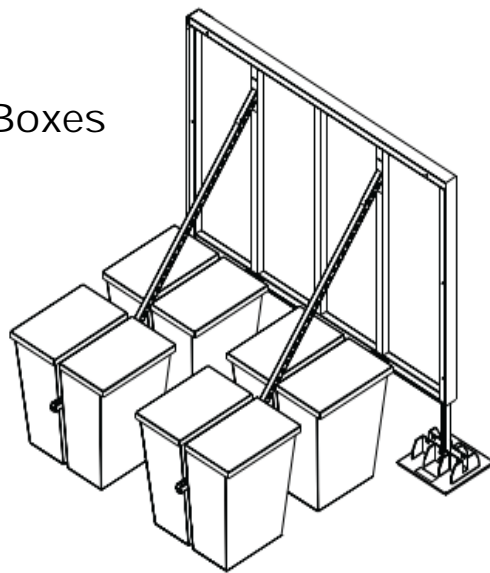
Nationwide Turn-key installation included

Flexibility

Unit Mounted



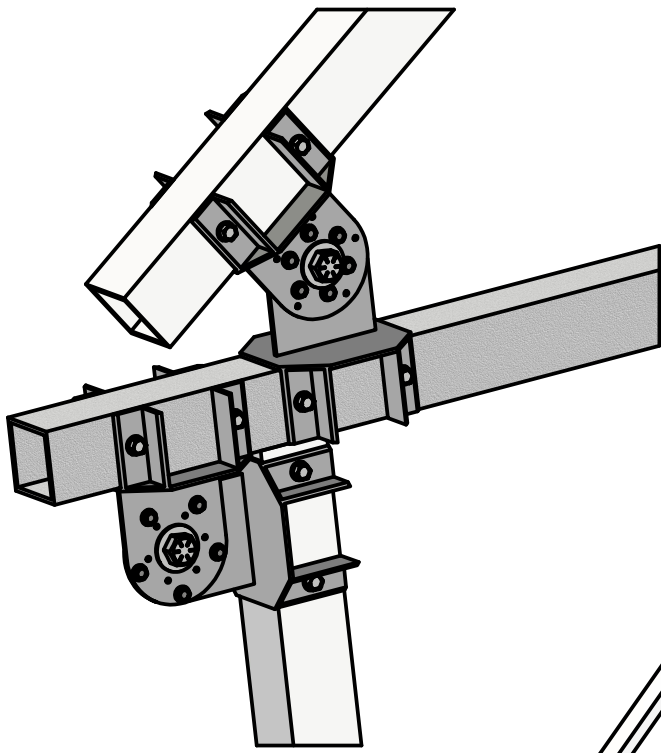
Ballast Boxes



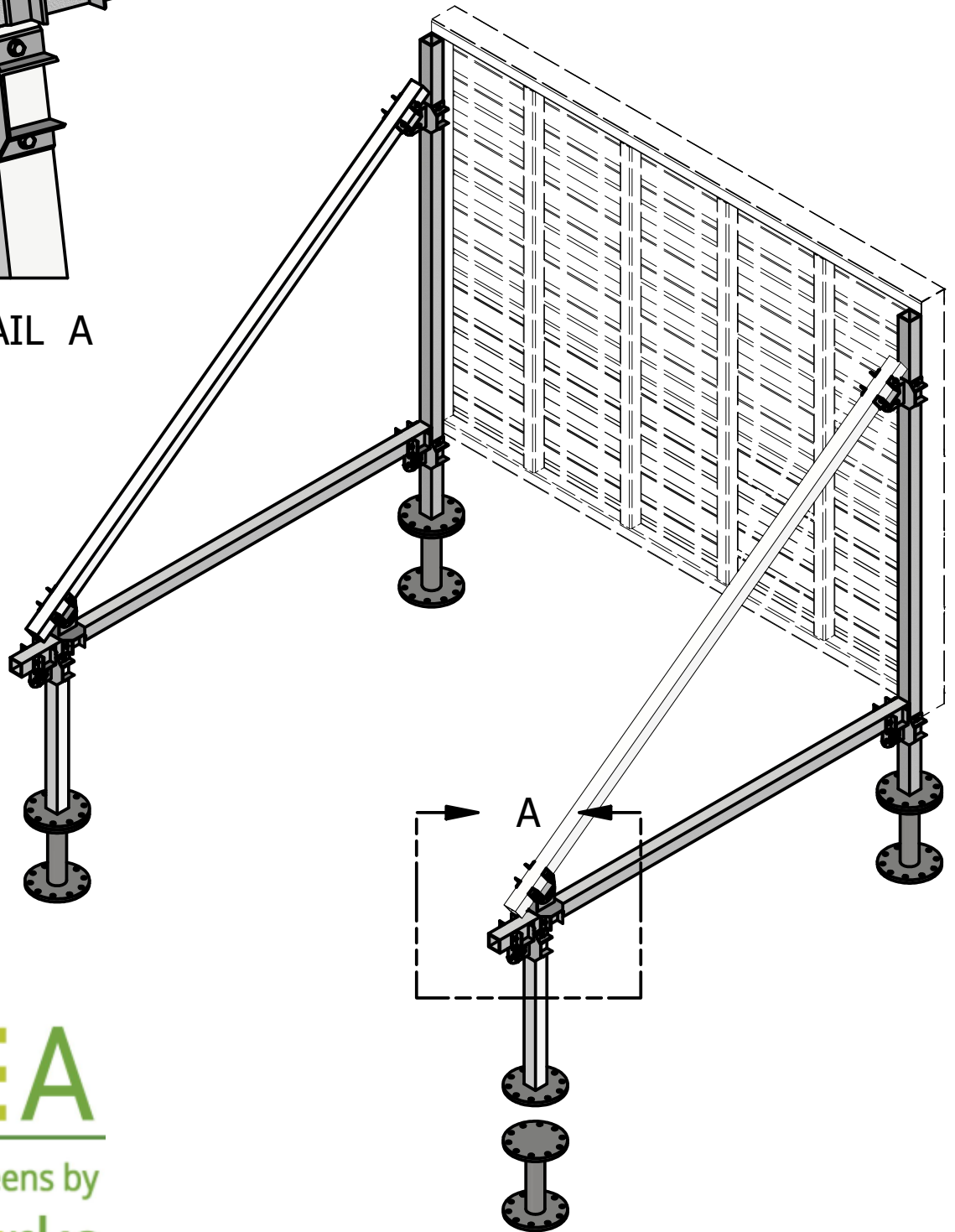
Steel Post Mounted



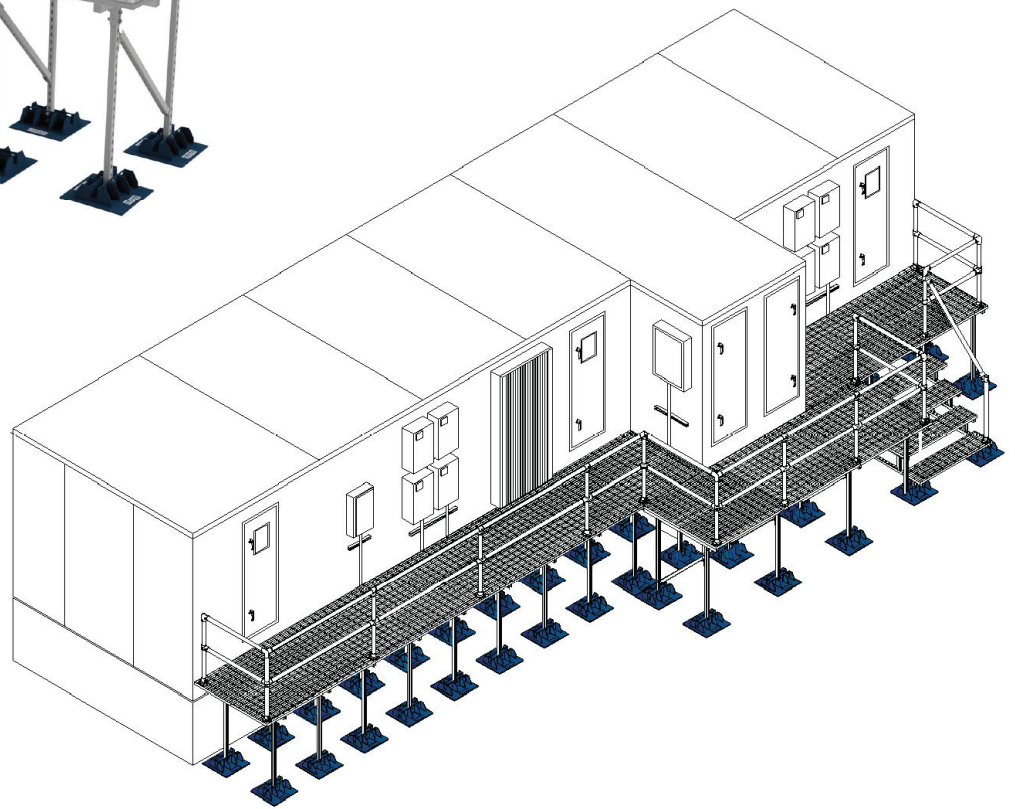
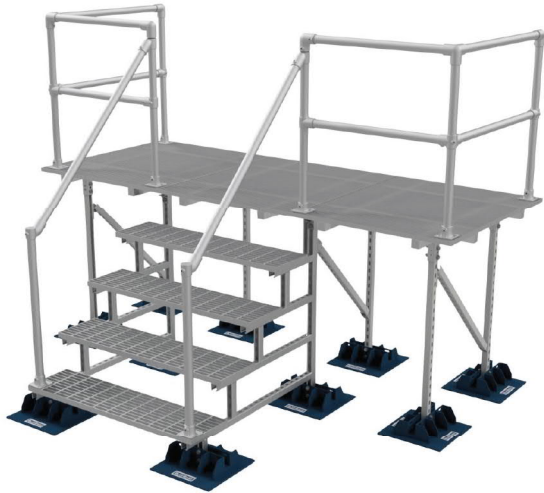
ALL NEW! Octo System,
with fully adjustable Octo
Brackets



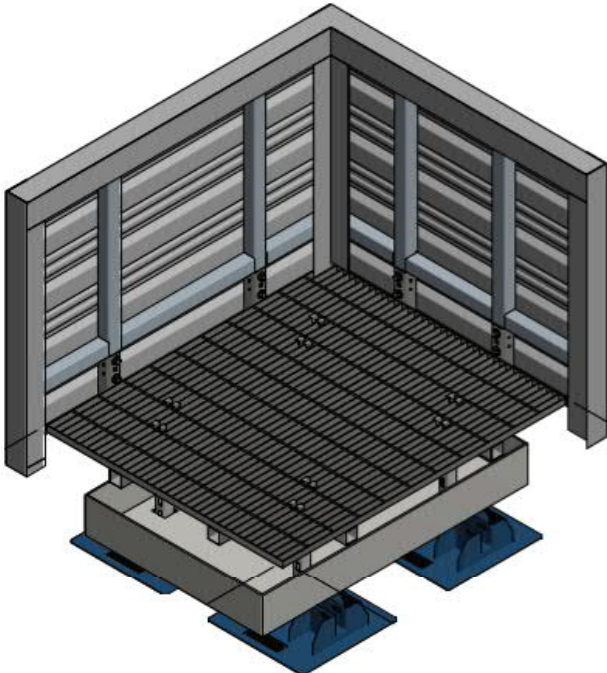
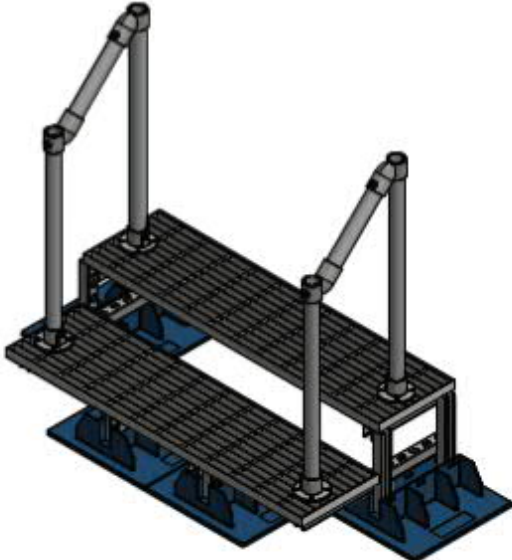
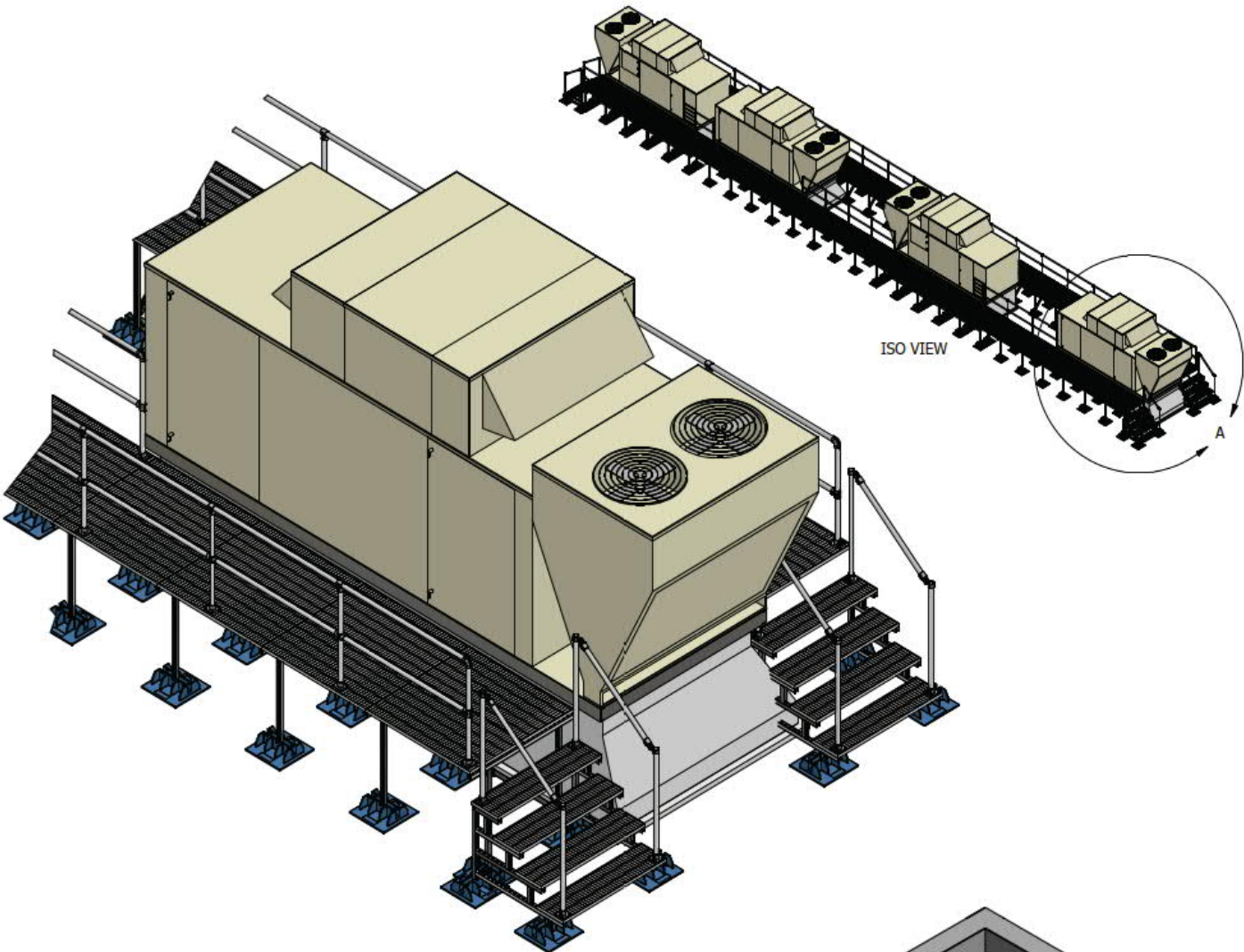
DETAIL A



Catwalks and Platforms



Catwalks and Platforms



Contact

ModWerks

E: ModWerks@hts.com

502-939-4110

We've moved!
1720 Royston Lane
Austin, TX 78664

www.LineaScreen.com



LINEA

equipment screens by
ModWerks